



Geldbach UK Ltd

Carbon and Alloy Steel Fittings and Flanges

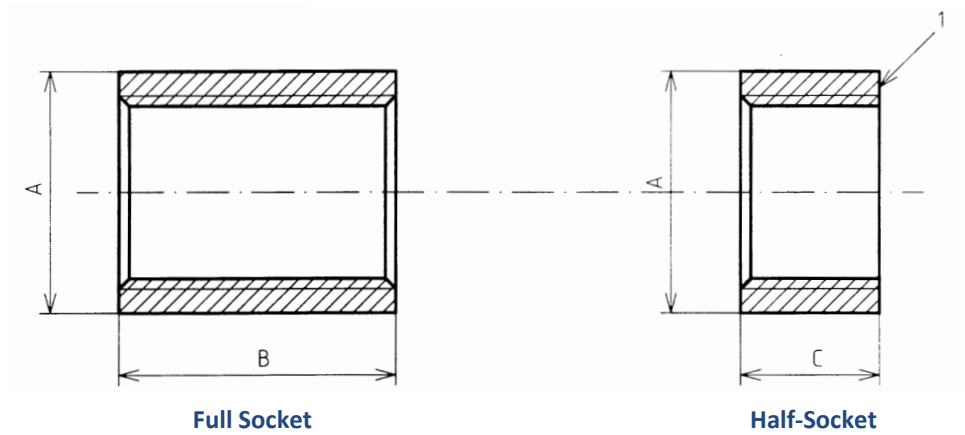


EN10241:2000 (BS1740)

Wrought Iron Fittings

Geldbach UK Ltd 
Carbon and Alloy Steel Pipe, Fittings & Flanges

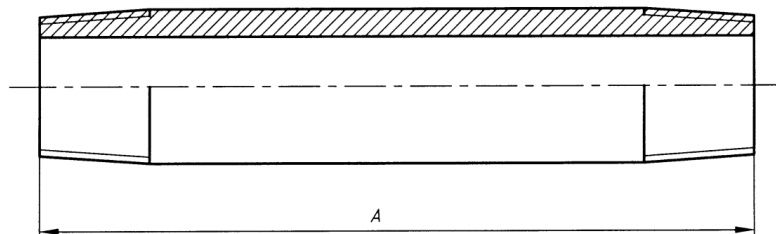
Sockets and Half-Sockets (Heavy)



Nominal Size	Minimum Outside Diameter (A)	Overall Length of Socket (B)	Overall Length of Half-Socket (C)
DN	mm	mm	mm
6	15.0	19	8
8	18.5	27	11
10	22.0	28	12
15	27.0	37	16
20	32.5	39	19
25	39.5	46	21
32	49.0	51	25
40	56.0	51	25
50	68.0	60	28
65	84.0	69	30
80	98.0	75	35
100	124.0	87	40
125	151.0	96	44
150	177.0	96	44

Pipe Nipples

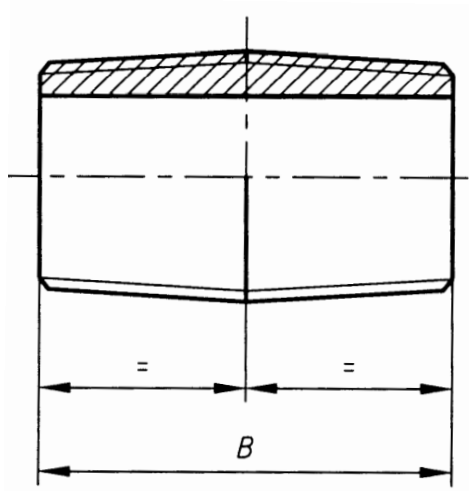
Taper Threads



Nominal Size	Minimum Outside Diameter	Overall Length (A)													
		mm													
DN	mm	30	40	50	60	80	100	120	150	180	200	250	300	-	-
6	15.0	30	40	50	60	80	100	120	150	180	200	250	300	-	-
8	18.5	30	40	50	60	80	100	120	150	180	200	250	300	-	-
10	22.0	30	40	50	60	80	100	120	150	180	200	250	300	-	-
15	27.0	-	40	50	60	80	100	120	150	180	200	250	300	-	-
20	32.5	-	40	50	60	80	100	120	150	180	200	250	300	-	-
25	39.5	-	-	50	60	80	100	120	150	180	200	250	300	-	-
32	49.0	-	-	50	60	80	100	120	150	180	200	250	300	-	-
40	56.0	-	-	50	60	80	100	120	150	180	200	250	300	-	-
50	68.0	-	-	-	60	80	100	120	150	180	200	250	300	-	-
65	84.0	-	-	-	-	80	100	120	150	180	200	250	300	-	-
80	98.0	-	-	-	-	80	100	120	150	180	200	250	300	400	-
100	124.0	-	-	-	-	-	100	120	150	180	200	250	300	400	-
125	151.0	-	-	-	-	-	-	120	150	180	200	250	300	400	500
150	177.0	-	-	-	-	-	-	120	150	180	200	250	300	400	500

**Other lengths and sizes available on request.
Brass Pipe Nipples also available.
Contact the sales team for more information.**

Close Nipples



Nominal Size	Overall Length (A)	Tolerance
DN	mm	mm
8	27	1.5
10	28	
15	37	
20	39	
25	46	
32	51	
40	51	+3.0
50	60	
65	69	
80	75	
100	87	
125	96	
150	96	