



Geldbach UK Ltd
Carbon and Alloy Steel Pipe, Fittings & Flanges



EN 10253-2 (BS 1965)

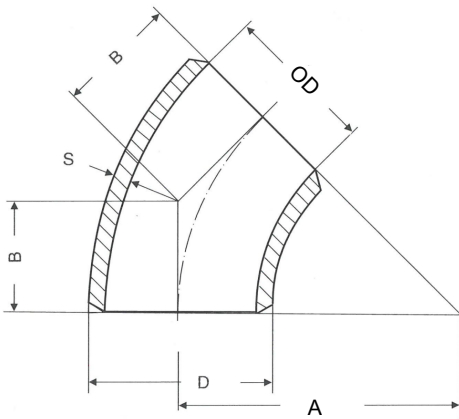
Butt-Weld Fittings

Geldbach UK Ltd

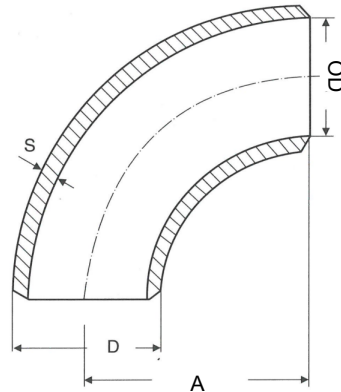


Carbon and Alloy Steel Pipe, Fittings & Flanges

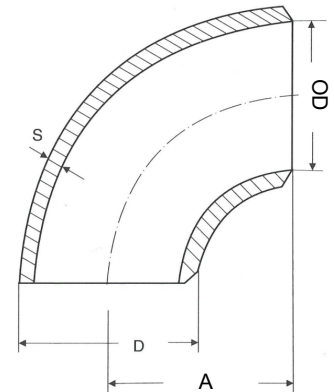
Long & Short Radius Elbows



**45 Deg Elbow
Long Radius**



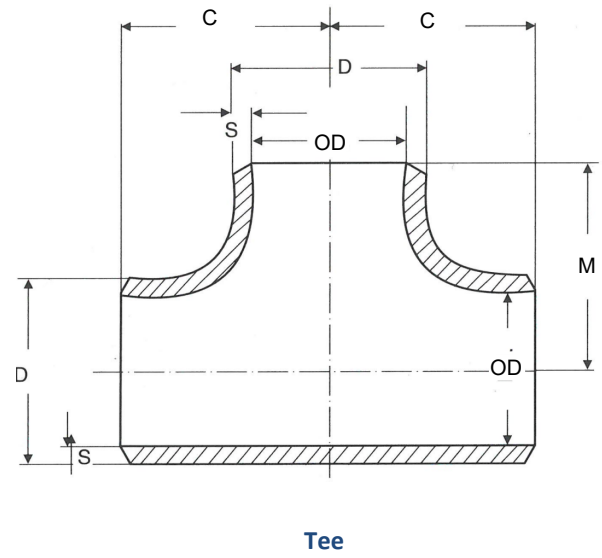
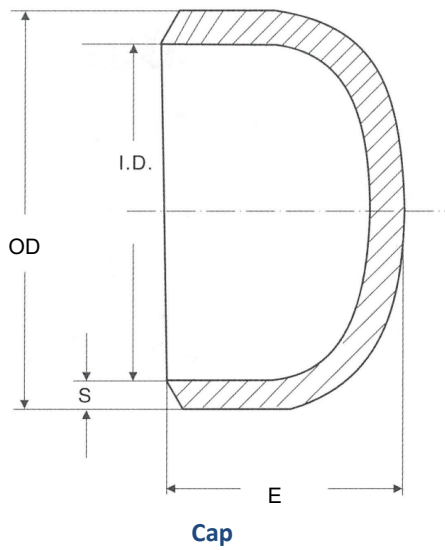
**90 Deg Elbow
Long Radius**



**90 Deg Elbow
Short Radius**

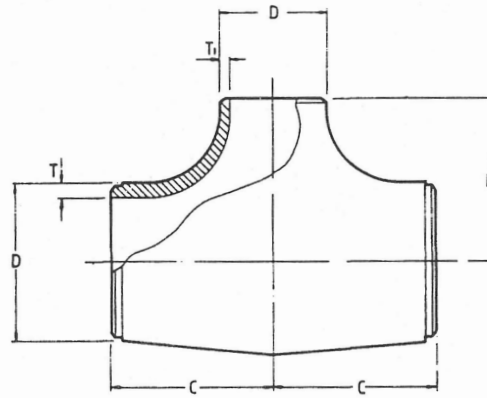
Nominal Pipe Size	Outside Diameter (OD)	Wall Thickness (MM)		45 Deg Elbows - Long Radius	Approx Weight	90 Deg Elbows - Long Radius	Approx Weight	90 Deg Elbows - Short Radius	Approx Weight
		MED	HVY						
IN	MM			Centre to Face B	KG	Centre to Face A	KG	Centre to Face A	KG
1/2	21.3	2.6	3.2	11.1	0.05	38.0	0.09	-	-
3/4	26.9	2.6	3.2	11.1	0.05	38.0	0.09	-	-
1	33.7	3.2	4.0	22.2	0.05	38.0	0.09	25.4	0.12
1 1/4	42.4	3.2	4.0	25.4	0.14	47.5	0.27	31.8	0.23
1 1/2	48.3	3.2	4.0	28.5	0.18	57.0	0.36	38.1	0.30
2	60.3	3.6	4.5	34.9	0.32	76.0	0.64	50.8	0.50
2 1/2	76.1	3.6	4.5	44.4	0.50	95.0	1.00	63.5	0.77
3	88.9	4.0	4.9	50.8	0.77	114.3	1.50	76.2	1.20
3 1/2	101.6	4.0	4.9	57.2	1.10	142.5	2.00	95.0	2.30
4	114.3	4.5	5.4	63.5	1.50	152.4	2.90	101.6	3.50
5	139.7	4.9	5.4	79.3	2.40	190.5	4.90	127.0	5.10
6	165.1	4.9	5.4	95.2	3.90	228.6	6.90	152.4	13.20
8	219.1	6.3	8.0	127.0	6.80	305.0	13.60	203.2	24.70
10	273.0	8.0	9.5	159.0	12.70	381.0	24.90	254.0	35.40
12	323.9	8.0	9.5	190.5	20.40	457.0	40.80	304.8	47.60

Caps & Tees



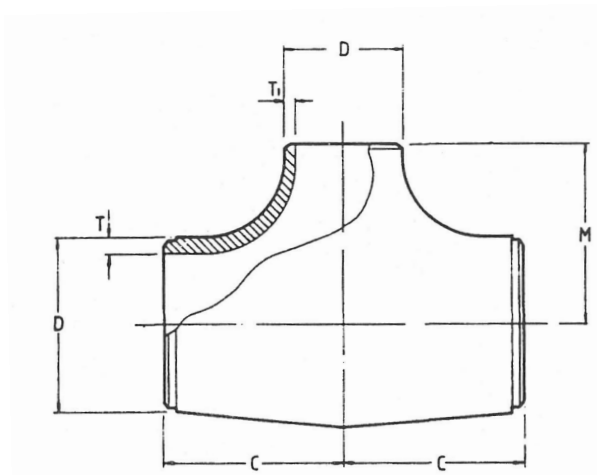
Nominal Pipe Size	Outside Diameter (OD)	Wall Thickness (MM)		Cap Length E	Approx Weight	Tee Length C & M		Approx Weight
		MED	HVY			Centre to Face B	Centre to Face A	
IN	MM				KG		KG	
1	33.7	3.2	4.0	38.0	0.14	38.0	0.45	
1 1/4	42.4	3.2	4.0	38.0	0.18	47.5	0.73	
1 1/2	48.3	3.2	4.0	38.0	0.23	57.0	1.10	
2	60.3	3.6	4.5	38.0	0.32	63.5	1.40	
2 1/2	76.1	3.6	4.5	38.0	0.45	76.0	2.40	
3	88.9	4.0	4.9	51.0	0.64	85.5	3.40	
3 1/2	101.6	4.0	4.9	59.0	0.89	90.0	4.20	
4	114.3	4.5	5.4	63.0	1.10	105.0	5.70	
5	139.7	4.9	5.4	76.0	1.90	124.0	9.10	
6	165.1	4.9	5.4	90.0	2.80	142.5	13.20	
8	219.1	6.3	8.0	101.5	5.00	178.0	24.90	
10	273.0	8.0	9.5	127.0	9.10	216.0	41.30	
12	323.9	8.0	9.5	152.5	13.60	254.0	59.90	

Reducing Tees



NOMINAL PIPE SIZE	OUTSIDE DIAMETER (D)	HEAVY MM / KG		CENTRE TO END RUN (C)	CENTRE TO END BRANCH (M)
		WT (T x T1)	WEIGHT	MM	MM
3/4 x 1/2	27 x 21	3.2 x 3.2	0.22	29.0	29.0
1 x 3/4	33 x 27	4.0 x 3.2	0.35	38.0	29.0
1 x 1/2	33 x 21	4.0 x 3.2	0.35	38.0	38.0
1 1/4 x 1	43 x 33	4.0 x 4.0	0.70	48.0	48.0
1 1/4 x 3/4	43 x 27	4.0 x 3.2	0.70	48.0	48.0
1 1/4 x 1/2	43 x 21	4.0 x 3.2	0.70	48.0	48.0
1 1/2 x 1 1/4	48 x 43	4.0 x 4.0	1.04	57.0	57.0
1 1/2 x 1	48 x 33	4.0 x 4.0	1.04	57.0	57.0
1 1/2 x 3/4	48 x 27	4.0 x 3.2	1.04	57.0	57.0
1 1/2 x 1/2	48 x 21	4.0 x 3.2	1.04	57.0	57.0
2 x 1 1/2	60 x 48	4.5 x 4.0	1.67	64.0	60.0
2 x 1 1/4	60 x 43	4.5 x 4.0	1.67	64.0	57.0
2 x 1	60 x 33	4.5 x 4.0	1.67	64.0	51.0
2 x 3/4	60 x 27	4.5 x 3.2	1.67	64.0	44.0
2 1/2 x 2	76 x 60	4.5 x 4.5	2.35	76.0	70.0
2 1/2 x 1 1/2	76 x 48	4.5 x 4.0	2.35	76.0	67.0
2 1/2 x 1 1/4	76 x 43	4.5 x 4.0	2.35	76.0	64.0
2 1/2 x 1	76 x 33	4.5 x 4.0	2.35	76.0	57.0
3 x 2 1/2	89 x 76	5.0 x 4.5	3.43	86.0	83.0
3 x 2	89 x 60	5.0 x 4.5	3.43	86.0	76.0
3 x 1 1/2	89 x 48	5.0 x 4.0	3.43	86.0	73.0
3 x 1 1/4	89 x 43	5.0 x 4.0	3.43	86.0	70.0
3 x 1	89 x 33	5.0 x 4.0	3.63	86.0	67.0
4 x 3	114 x 89	5.4 x 5.0	6.10	105.0	98.0
4 x 2 1/2	114 x 76	5.4 x 4.5	6.10	105.0	95.0
4 x 2 1/2	114 x 60	5.4 x 4.5	6.10	105.0	89.0
4 x 1 1/2	114 x 48	5.4 x 4.0	6.10	105.0	86.0
4 x 1 1/4	114 x 43	5.4 x 4.0	6.10	105.0	80.0
5 x 4	140 x 114	5.4 x 5.4	9.52	124.0	117.0
5 x 3	140 x 89	5.4 x 5.0	9.52	129.0	111.0
5 x 2 1/2	140 x 76	5.4 x 4.5	9.52	124.0	108.0

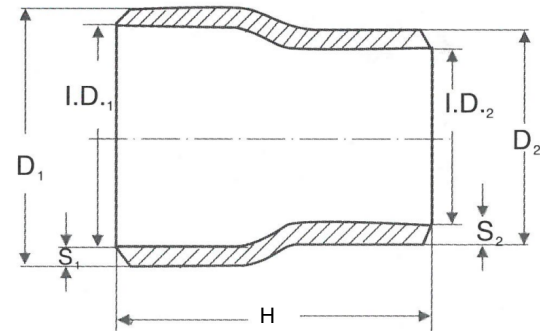
Reducing Tees



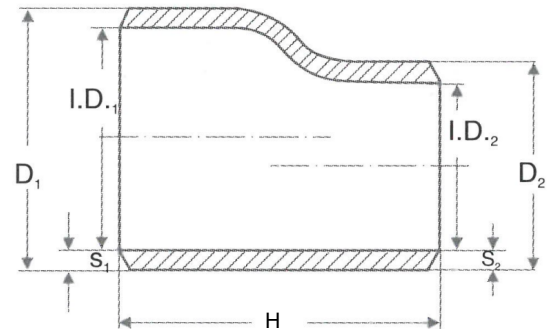
NOMINAL PIPE SIZE	OUTSIDE DIAMETER (D)	HEAVY MM / KG		CENTRE TO END RUN (C)	CENTRE TO END BRANCH (M)
		WT (T x T1)	WEIGHT	MM	MM
6 x 5	165 x 140	7.1 x 5.4	12.30	143.0	137.0
6 x 4	165 x 114	7.1 x 5.4	12.30	143.0	130.0
6 x 3	165 x 89	7.1 x 5.0	12.30	143.0	127.0
6 x 2 1/2	165 x 76	7.1 x 4.5	12.30	143.0	129.0
8 x 6	219 x 168	8.0 x 7.1	21.30	178.0	168.0
8 x 5	219 x 140	8.0 x 5.4	21.30	178.0	162.0
8 x 4	219 x 114	8.0 x 5.4	21.30	178.0	156.0
10 x 8	273 x 219	9.5 x 7.1	33.30	216.0	203.0
10 x 6	273 x 168	9.5 x 7.1	33.30	216.0	194.0
10 x 5	273 x 140	9.5 x 5.4	33.30	216.0	191.0
12 x 10	324 x 273	9.5 x 7.1	52.90	254.0	241.0
12 x 8	324 x 219	9.5 x 7.1	52.90	254.0	229.0
12 x 6	324 x 168	9.5 x 7.1	52.90	254.0	219.0

Concentric & Eccentric Reducers

Nominal Pipe Size	Wall Thickness (MM)		Approx Height	Approx Weight
	Large End	Small End	Branch H	KG
1 1/2 x 1/2	4.0	3.2	63.5	0.27
1 1/2 x 3/4	4.0	3.2	63.5	0.27
1 1/2 x 1	4.0	4.0	63.5	0.32
2 x 1	4.5	4.0	76.0	0.45
2 x 1 1/4	4.5	4.0	76.0	0.50
2 x 1 1/2	4.5	4.0	76.0	0.55
2 1/2 x 1	4.5	4.0	90.0	0.59
2 1/2 x 1 1/4	4.5	4.0	90.0	0.64
2 1/2 x 1 1/2	4.5	4.0	90.0	0.68
2 1/2 x 2	4.5	4.0	90.0	0.73
3 x 1 1/4	4.9	4.0	90.0	0.82
3 x 1 1/2	4.9	4.0	90.0	0.91
3 x 2	4.9	4.5	90.0	0.95
3 x 2 1/2	4.9	4.5	90.0	1.00
4 x 1 1/2	5.4	4.0	102.0	1.20
4 x 2	5.4	4.5	102.0	1.45
4 x 2 1/2	5.4	4.5	102.0	1.50
4 x 3	5.4	4.9	102.0	1.59
5 x 2 1/2	5.4	4.5	127.0	2.44
5 x 3	5.4	4.9	127.0	2.54
5 x 4	5.4	5.4	127.0	2.58
6 x 2 1/2	5.4	4.5	139.5	3.26
6 x 3	5.4	4.9	139.5	3.44
6 x 4	5.4	5.4	139.5	3.49
6 x 5	5.4	5.4	139.5	3.67
8 x 4	8.0	5.4	152.5	4.98
8 x 5	8.0	5.4	152.5	5.44
8 x 6	8.0	5.4	152.5	5.89
10 x 4	9.5	5.4	178.0	9.50
10 x 5	9.5	5.4	178.0	10.00
10 x 6	9.5	5.4	178.0	10.00
10 x 8	9.5	8.0	178.0	10.40
12 x 6	9.5	5.4	203.0	10.00
12 x 8	9.5	8.0	203.0	13.60
12 x 10	9.5	9.5	203.0	15.00

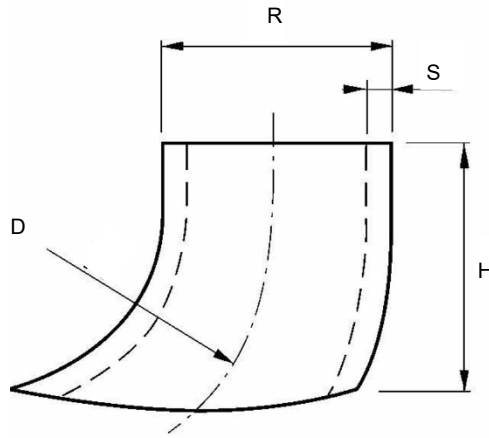


Concentric Reducer



Eccentric Reducer

Branch Bends



Nominal Pipe Size	Outside Diameter (OD)	Wall Thickness (MM)		Radius R	Approx Height Branch H	Approx Weight
		MED	HVY			
1/2	21.3	2.6	3.2	38.0	25.0	0.05
3/4	36.9	2.6	3.2	38.0	25.0	0.00
1	33.7	3.2	4.0	38.0	25.0	0.05
1 1/4	42.4	3.2	4.0	47.5	32.0	0.14
1 1/2	48.3	3.2	4.0	57.0	35.0	0.18
2	60.3	3.6	4.5	76.0	45.0	0.36
2 1/2	76.1	3.6	4.5	82.5	57.0	0.59
3	88.9	4.0	4.9	114.5	70.0	0.75
3 1/2	101.6	4.0	4.9	139.7	80.0	1.00
4	114.3	4.5	5.4	152.5	90.0	1.50
5	139.7	4.9	5.4	190.5	114.0	2.40
6	165.1	4.9	5.4	228.5	133.2	3.80
8	219.1	6.3	8.0	305.0	178.0	4.20
10	273.0	8.0	9.5	381.0	228	7.30
12	323.9	8.0	9.5	457.0	266.5	12.70